

USER GUIDE AND INSTALLATION MANUAL
UNIVERSAL TRUNK HINGE

TRH - Universal Steel Trunk Hinge

TRHA - Universal Aluminum Trunk Hinge

USER GUIDE

1. If applicable, remove back seats and original trunk hinge mechanism for easy access to trunk mounting area.
2. Set trunk in closed position. Be sure you are able to trigger trunk latch mechanism. This will maintain your trunk's alignment and allow you to open your trunk lid if it latches.
3. Inspect the trunk shell and lid to confirm the hinge will fit and clear all other parts. Be aware of wiring, uneven surfaces or any other obstructions.
4. Determine new mounting position under the trunk deck and on the trunk lid for the AutoLoc™ Trunk Hinge.
5. Test locations by placing angle iron in desired position and tach weld, or temporarily bolt in place.
6. Place hinges in correct position and tach weld. Be sure to square up hinge's pivoting brackets with the angle iron. This will allow both hinges to swing identically.
7. Place trunk mount plate to underside of trunk lid and secure by tach welding or bolting.
8. Test hinge for clearance and alignment. Once trunk lid and hinge are in correct location, proceed to step 9. Repeat steps 4 – 7 until correct alignment is reached.
9. Permanently weld and/or bolt kit into place. Bolting hinge to trunk lid will allow for fine tuning adjustment.

Diagram A - Side View of Trunk

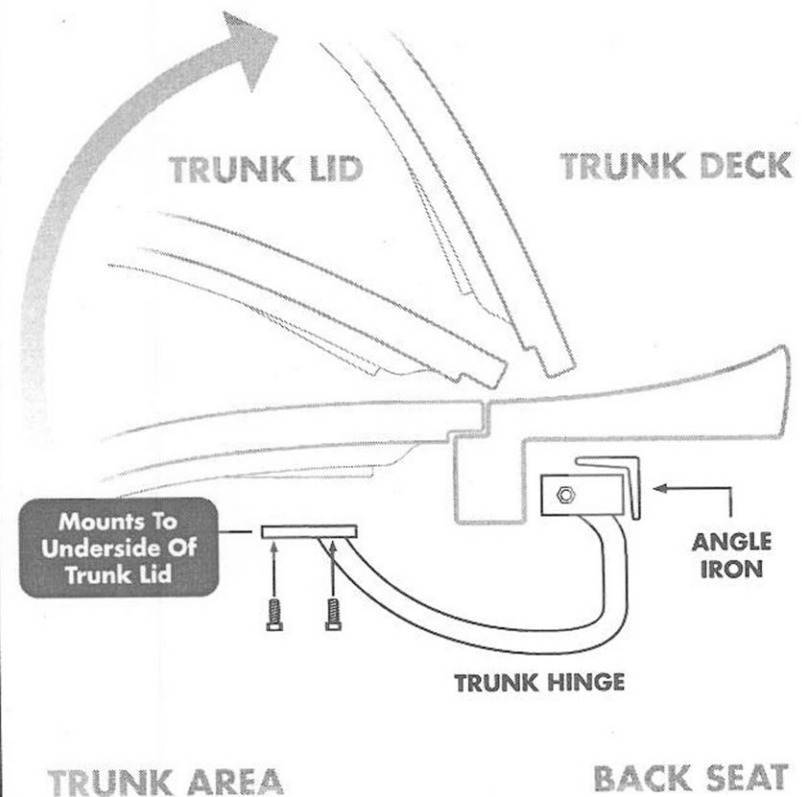
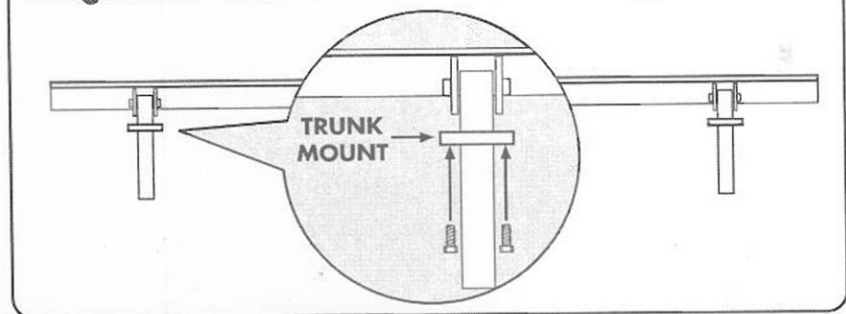


Diagram B - Frontal View of Trunk Hinge



WARNING:

This is a universal kit, and may require custom modifications. AutoLoc™ highly recommends professional installation by a custom fabrication shop.